

S O U N D P R O J E C T S

X-perience



The Sound Projects X-perience is an ultra flat, flexible design cinema system consisting of three interchangeable modules: a subcabinet, a bas/mid cabinet of similar dimensions and a HF horn module. All parts can be interlocked for stability, allow flush mounting in a full baffle wall as well as precise vertical aiming to meet the most stringent criteria.

The driver placement is optimized for an even coverage of smaller rooms up to 250 people. Special attention has been given to a stable room response and the best obtainable intelligibility. The choice for similar size subs allows the installer to add units for more dramatic sub at will to influence directional behaviour.

Vertical or horizontal sub-low arrays can be made to suppress undesired influences of the room.

System: X-perience TOP

Acoustical specifications:

- Drivers: 1 x 1", 3 x 10"
- Max. peak SPL @1m: 125dB c.f. 2 (6 dB)
- Freq. response: 60Hz-20kHz
- Coverage angle: 90 H x 40 V

Electrical specifications:

- Amplifier(s): MA1000™ technology
- Transient output: 1000W
- Crossover: 1000 Hz, 4th order
- Filter ultrasonic: 20 kHz, 1st order
- Filter subsonic: 60Hz, 2nd order
- Input impedance: 20 kOhms balanced, 10 kOhms unbalanced
- Output impedance: hard-wired to input

- Power consumption.

- Mains voltage: 230V (other on request)
- Mains frequency: 50/60 Hz
- Power cons. Idle: < 50VA
- Full load: 1200VA

Protection:

- D.A.L.C. (Double AudioLogic Control)
- Protection threshold: +4dBu
- Transient (soft power-up)
- DC-voltage short-circuit
- LED indication: power-on/signal/protect

System: X-perience SUB

Acoustical specifications:

- Drivers: 4 x 10"
- Max. peak SPL @1m: 125dB c.f. 2 (6 dB)
- Freq. response: 30-60Hz
- Coverage angle: omni-directional

Electrical specifications:

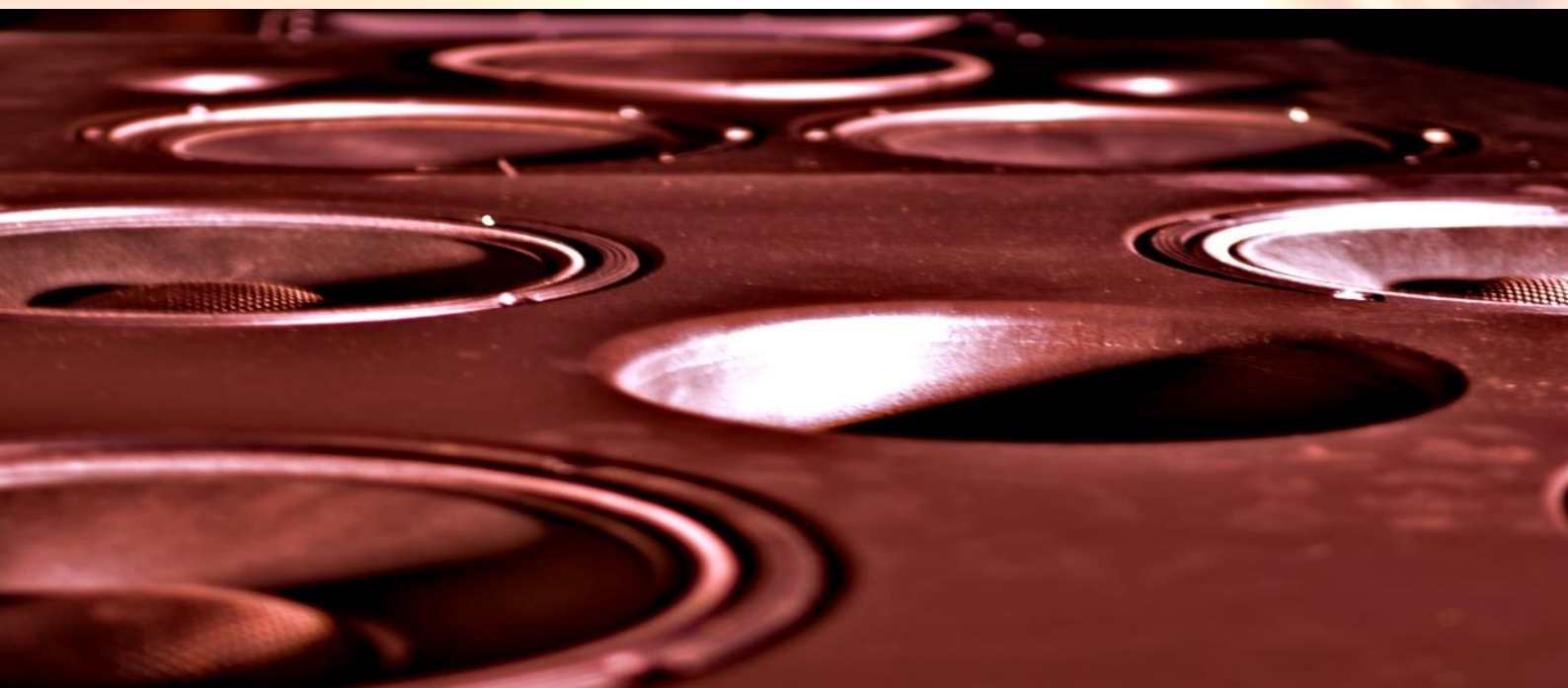
- Amplifier(s): MA1000™ technology
- Transient output: 1200W
- Lowpass: 60 Hz, 4th order
- Filter subsonic: 30Hz, 2nd order
- Input impedance: 20 kOhms balanced, 10 kOhms unbalanced
- Output impedance: hard-wired to input

- Power consumption.

- Mains voltage: 230V (other on request)
- Mains frequency: 50/60 Hz
- Power cons. Idle: < 50VA
- Full load: 1200VA

Protection:

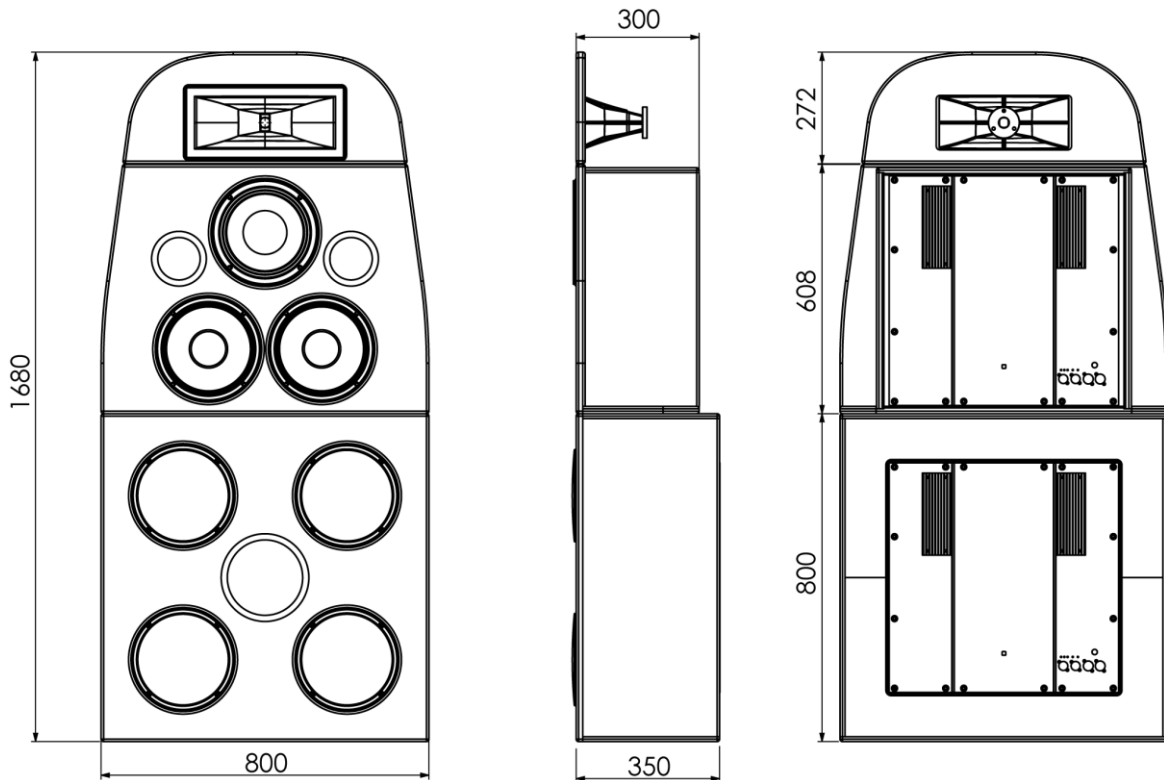
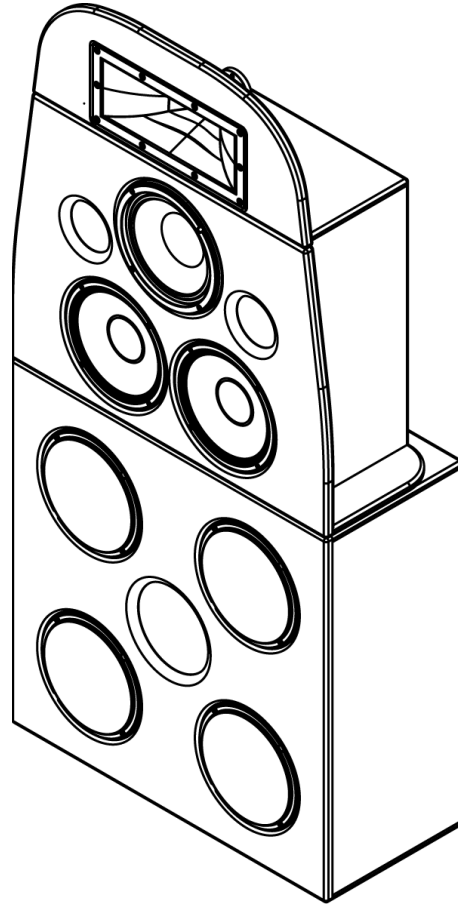
- D.A.L.C. (Double AudioLogic Control)
- Protection threshold: +4dBu
- Transient (soft power-up)
- DC-voltage short-circuit
- LED indication: power-on/signal/protect

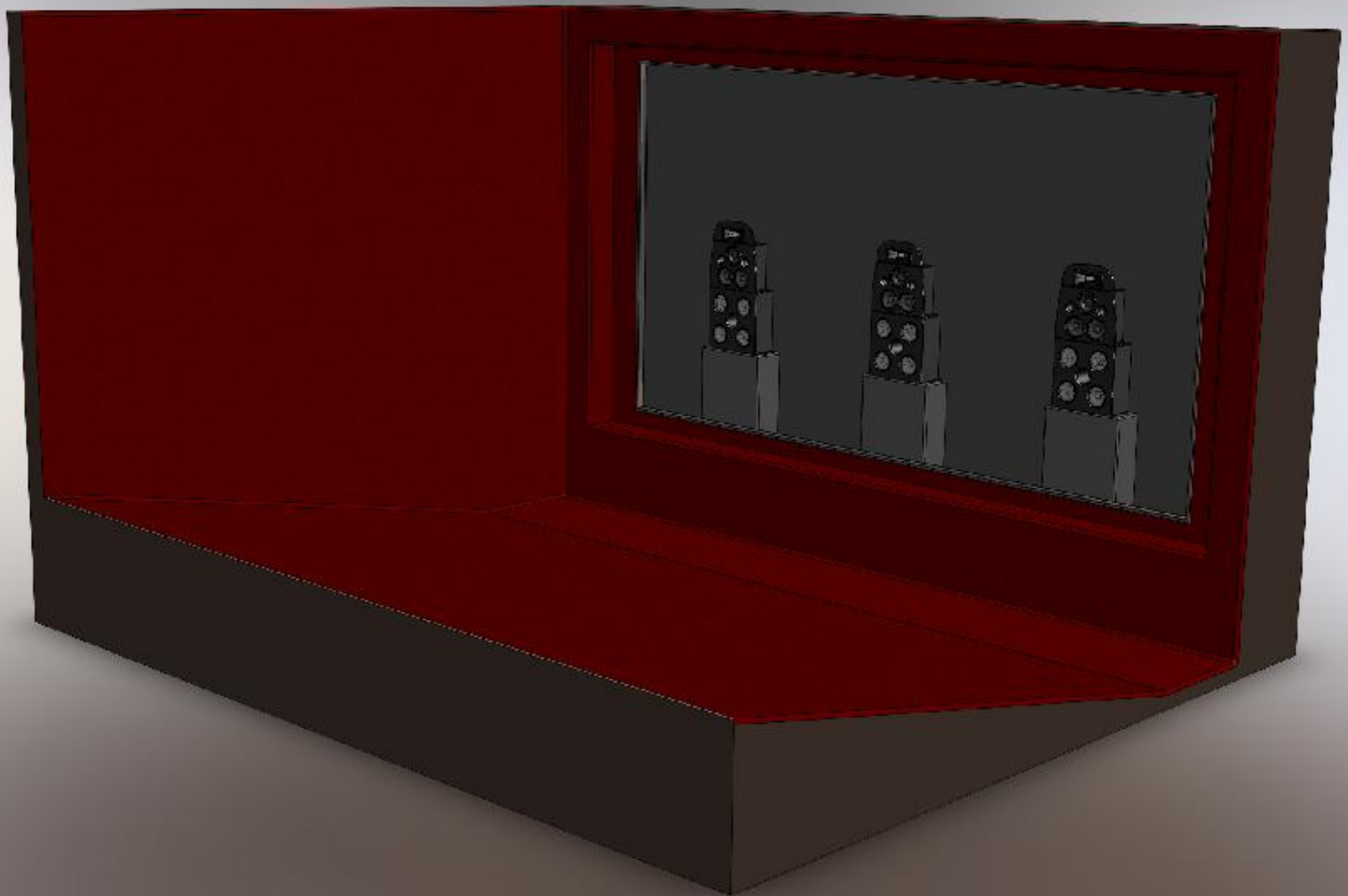


Additional descriptive data:

- Cabinet construction: combination of FSC approved wood types
- Finish: Waterbased PU coating
- Weight: TOP 40 kg
SUB 50 kg
- Size WxHxD (mm): TOP 880x800x300 mm
SUB 800x800x350 mm
- Rigging points: ---
- Audio connectors: IEC XLR-3 in/out
- Main connectors: powercon in
powercon out
- Max. operating temp.: -10 to 40 C ambient

Specifications subject to change without notice





SOUND PROJECTS
Karperweg 16
1317 SN Almere
+31(0)36 53 94 570