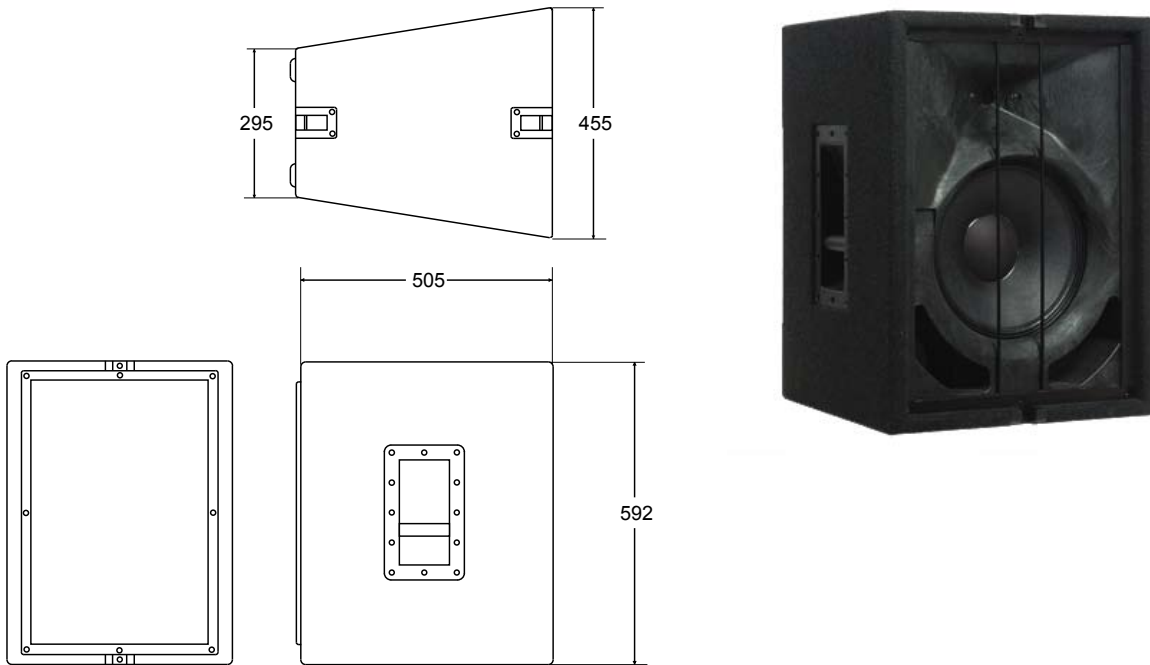


SOUND PROJECTS

SP2



Electrical specifications

- Drivers: 12"/1"
- Transient output: 400W
- Amplifier(s): eta-max™ technology
- Crossover 4th order: 1600Hz
- Lowpass 4th order: -
- Filter subsonic: switch. 40/80Hz, 4th order
- Filter ultrasonic: 20.000Hz, 1st order

Protection

- S.A.L.C. (Single AudioLogic Control)
- Fast twin driver-relais turn on/off
- Transient (soft power-up)
- DC-voltage short-circuit
- LED status indication: power-on, protect, filter subsonic switch
- Input impedance: 20 kOhms balanced, 10 kOhms unbalanced
- Output impedance: hard-wired to input
- Protection threshold: +4dBu
- Mains voltage: 230V (100V/110V optional) +5%, -10%
- Mains frequency: 50/60 Hz
- Power cons. Idle: <20VA
- RMS Full load: 400VA

Acoustical specifications

- Max. SPL continuous: 123dB@1m
- Calculated peak/longterm: 126dB@1m
- Freq. response: switch.40/80-20.000Hz
- Coverage angle: 90 H, 40 V

Additional descriptive data

- Cabinet construction: crossgrain laminated multiplex
- Finish: non-reflective sturdy carpet
- Weight: 29 kg
- Size WxHxD in cm: 45x59x50 trapezoid
- Rigging points: Quick-Rig?, recessed stand adapter, mounting bracket
- Audio connectors in: IEC XLR-3 (pin 2 hot)
- Main connectors: IEC 20
- Max. operating temp.: -10 to 40 C ambient

Applications

- Small theatre systems
- Houses of worship
- Conference amplification
- Live / Disco club
- Theatre stage monitoring
- Acoustic guitar amplification

Specifications subject to change without notice